



Satellite TV Solutions for the wandering traveller



The Solution is Satellite

[www.campersat.com.au](http://www.campersat.com.au)

## Campersat Announces Speedray 1000 from Raysat as the new generation vehicle satellite package for all in-motion requirements to receive satellite delivered TV and Video Broadcasts for Land Water and Air



The new SpeedRay 1000 is the next generation Satellite equipment that departs from the traditional reflecting dish and LNB configuration and uses phased array technology in an innovative mechanical configuration that provides economies of size and bulk that makes conventional design appear clumsy by comparison.

Phased array satellite plates have been around for many years but have not been popular because relative cost.

The Innovative design in the SpeedRay assembles 4 long slats of phased array elements in a moving Venetian blind configuration on a lightweight rotating platform.

This results in a low profile package under a weatherproof radome some 150mm high instead of 900 mm + for a conventional dish, let alone allowing for the LNB arm.

High Tech accessories such as GPS receiver and on board gyroscope with inertial sensors provide a neat fully functional operational package.

This allows automatic tracking of the system during temporary signal blockages so that when the vehicle emerges the antenna is still pointing correctly. This technique absolutely minimises signal outage

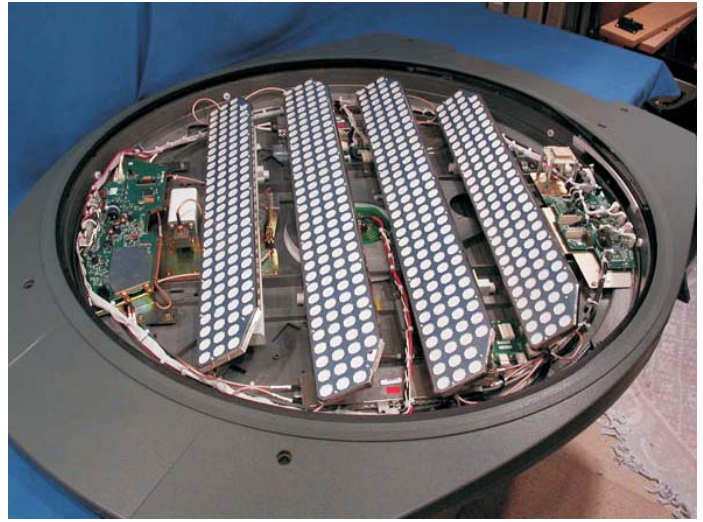
A key installation plus is the use of a single mobile phone type coaxial cable carrying control signals, DC power, satellite received signs from the internal LNB and to connect between the inside and the SpeedRay 1000 outdoor unit.

The control unit is a small control box with Satellite select buttons and output to the normal Campersat satellite receiver and Card and, or your favourite Pay TV satellite service.

The Innovation is in the detail under the hood allowing modern innovative technology to provide a complete package that is:

- Low profile -150mm
- Aerodynamically designed
- Operates in all all weather without needing add on systems to put the dish down

Great for Installation - one mobile style coaxial cable to connect to the Outdoor Unit.



### Applications now expand into territories not previously available



Pay TV on the move for mobile and movable applications expanding into entertainment on boats, buses and movable venues

Speedray 1000 Around the globe provides Satellite delivered services everywhere



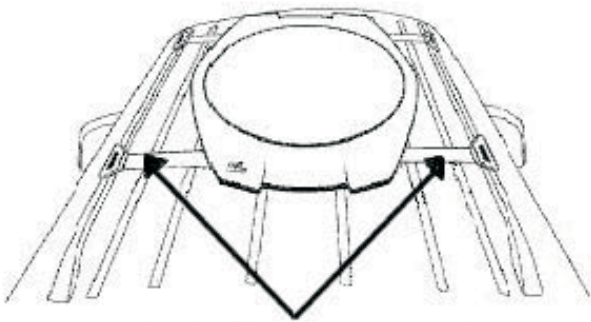
Fits all vehicle sizes down to Australian Sports Utility vehicles or the family 4WD.



## Equipment configuration, installation and operation is easy

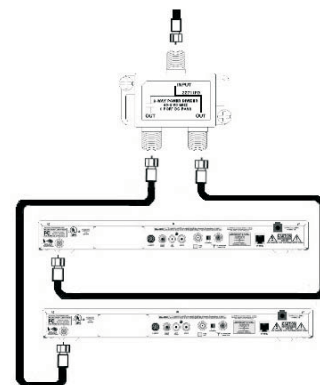
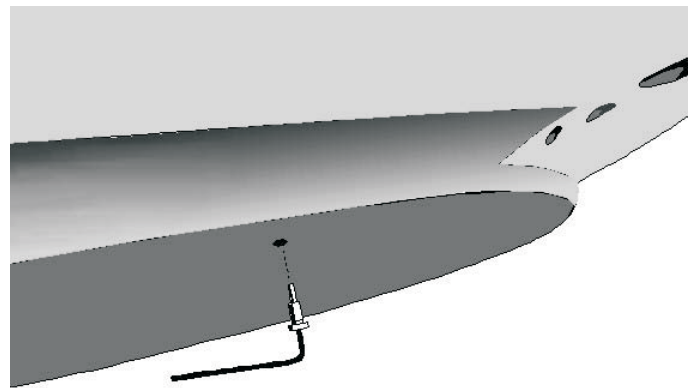
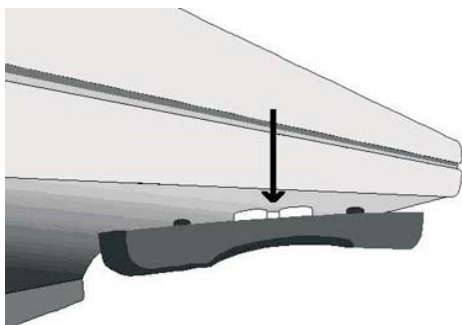


Extensive Testing in Australia makes ready for production destined for Australia of the New Speedray 1000. Equipment is then made ready for our anxious customers waiting first deliveries.



Equal distance to center on roof

Easy to follow installation guide is provided for mounting on roof bars or more conventional RV roof fittings



Multiple receiver installations is a breeze, accommodating the special needs of encrypted services in Australia to ensure guaranteed operation in the field.

## Campersat SpeedRay 1000 Specifications

Product Use	Multi-flat panel low profile mechanically steered satellite system suitable for vehicle roof mounting for land and water use. Ensures reliable Satellite DBS reception on moving vehicles in major footprint areas in Australia, NZ and other areas of footprint coverage			
	<b>Outdoor Unit</b>	<b>Indoor Unit</b>	<b>Satellite Decoder</b>	
Dimensions	1153 x 900 x 150mm	183x201 x51mm	260(W) x 200(D) x 52mm(H)	
Weight	24 Kg	2.7Kg	1.6Kg	
Frequency Band	11.7-12.75GHz	950 - 2150 MHz	950 - 2150 MHz	
Polarisation	Single linear controlled by IDU	Dual Polarity -Switched from Receiver	Switches 14/18v vertical/horizontal	Simultaneous
Azimuth Beam Coverage	0 - 360 Deg			Mechanical
ElevationBeam Coverage	20 - 70 Deg			Mechanical & Electrical
G/T	6.0 - 10.0 dB/K			
PSLL	<-6.0dB			
IF output	950 — 2150 MHz			
LNB Local Osc	11300 MHz			
Output dynamic range	70 --30dBm		-65 to -25 dBm	
Impedance, ohm	75	75	75	
Connector	Connector ~ y b e	TNC & F-typefemale	F-type, Female	
Tracking speed, deg/s	60			
Tracking Accuracy	+/- 0.6 Deg			With acceleration at 360 Deg/Sec <sup>2</sup>
Supply Voltage	30V from IDU	12v from Vehicle	85 ~ 265 V AC 50/60Hz	User supplied Inverter for Decoder
Power consumption	52w	7w	Typ 20w -30 w (Max)	
Satellite search & recognition	Automatic	Automatic		
Multi-satellite support		Yes		
PC control I monitoring	On demand from IDU	On demand		
Number of required cables from ODU	Single coaxial cable (RG58)	Single f-f cable from IDU to Rx		Can fit additional receivers
Operating temperature	-25 to +50 Deg C		-5 to +40°C	
Output to TV			6RCA (2 Left Audio, 2 Right Audio, Video, Mono)Y/C outputS-video	
Encryption			Irdetto - Optus Card	As per decoder

**Order Now to benefit from the first production deliveries to Australia and enjoy your favourite entertainment on the move!**

**Call our direct line on (02) 9482 3100 or 1800 226 865**

**Available from Campersat Resellers Australia Wide**